

1|

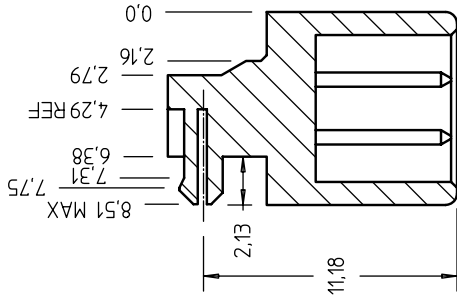
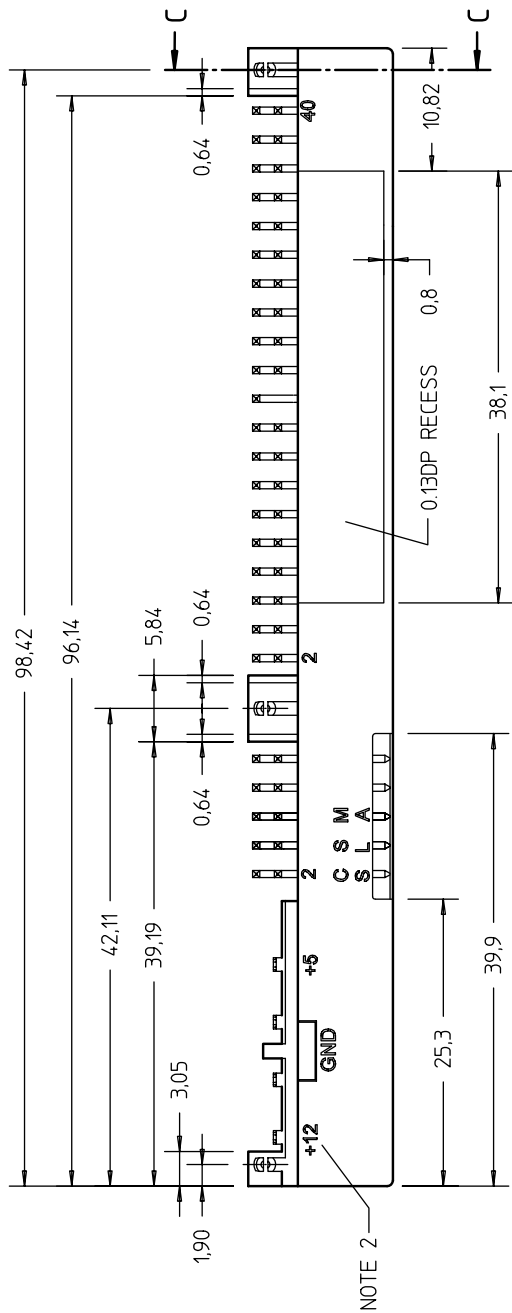
2|

3|

4

PRODUCT NO  
SEE TABLE

REV	DESCRIPTION	REV'D BY	DATE
A	RLSD ECR S90187	R. CRASTA	08OCT.99
F	ECR S05-013	R. CRASTA	18APR.05



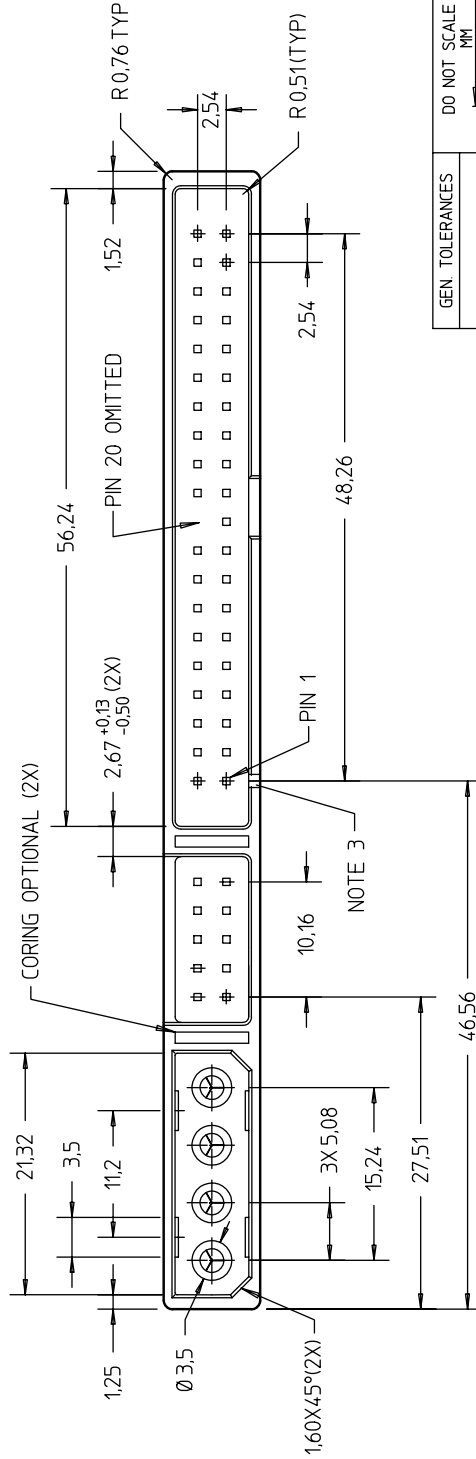
A

1|

2|

3|

4



SECTION C-C

GEN. TOLERANCES	DO NOT SCALE DWG.	NAME	DATE
XX = ±0.25		R CRASTA	8 OCT.99
X.XX = ±0.13		R CRASTA	18APR.05
ANGLES = ±3°		JOEY NG	18APR.05

CUSTOMER COPY

DESCRIPTION
COMBO, RA HDR

DRAWN	R CRASTA	8 OCT.99
CHECKED	R CRASTA	18APR.05
APPROVED	JOEY NG	18APR.05
PRODUCT NO.	63430	
SCALE	SHT. 1 OF 2	

B

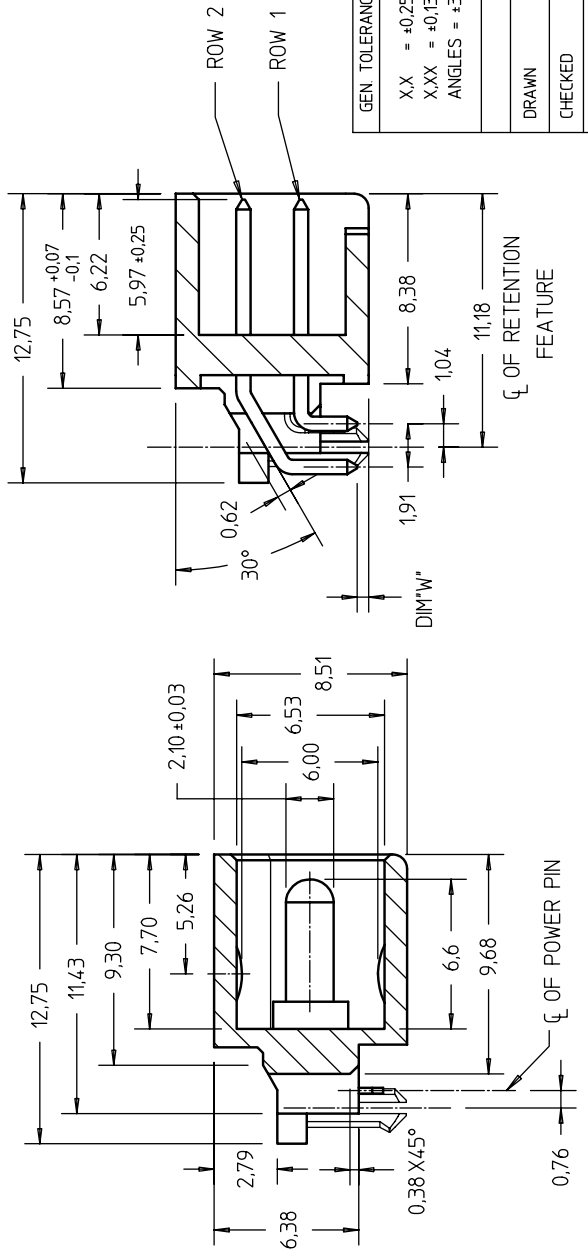
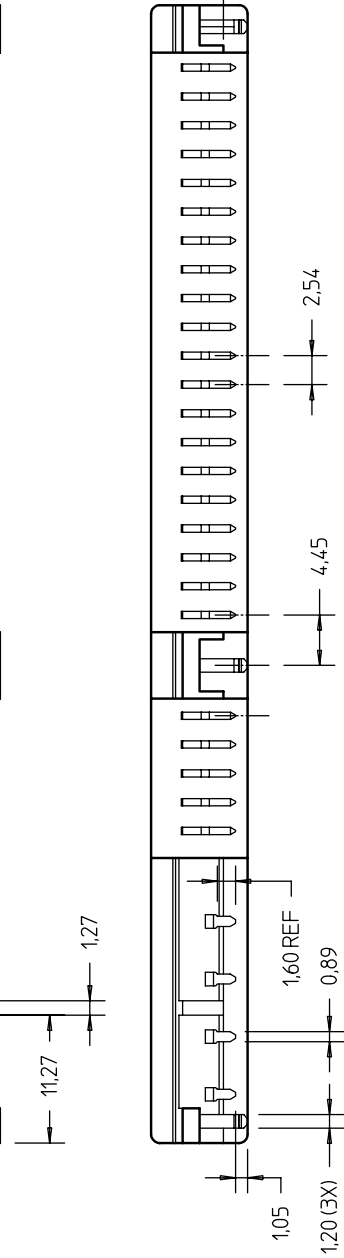
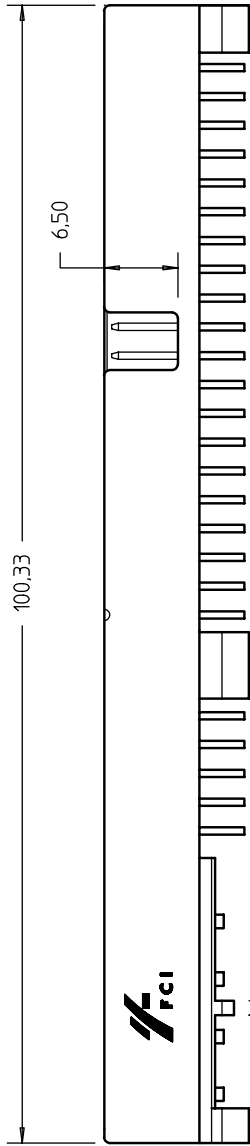
1|

2|

3|

4

PRODUCT NO	DIM"W"
63430-001LF	1.07
63430-001WLF	0.51



CUSTOMER COPY

NOTES:

1. MATERIAL:  
HOUSING : 40% GF PPS (BLACK) UL 94V-1  
SIGNAL PIN: PH BRONZE  
FINISH : 4u" MIN AU FLASH  
UNDER PLATING: 50u" NICKEL  
POWER PIN : BRASS C2680 R-H  
FINISH : 40u" MIN Sn OVER 30u" MIN COPPER
2. TEXT FOR PIN DESIGNATIONS
3. MARK PIN 1 WITH "U" NOTCH
4. PACKAGING PER GES-14-447  
60 PCS PER TRAY, 420 PCS PER BOX
5. THIS PRODUCT MEETS EUROPEAN UNION DIRECTIVES AND OTHER COUNTRY REGULATIONS AS DESCRIBED IN GS-22-008
6. THIS HOUSING WILL WITHSTAND EXPOSURE TO 250°C TEMP FOR 10 SECONDS IN A CONVECTION, INFRA-RED OR VAPOR PHASE REFLOW OVEN

GEN. TOLERANCES		DO NOT SCALE DWG.		DESCRIPTION	
XX = ±0.25				COMBO, RA HDR	
XX = ±0.13				NAME	DATE
ANGLES = ±3°				R CRASTA	8 OCT.99
				R CRASTA	18APR.05
				JOEY NG	18APR.05
				PRODUCT NO.	63430
				SCALE	SHT. 2 OF 2